

Besam Door Closer – U234



The U234 series is selectable for size EN2, EN3 and EN4, according to EN 1154. The U234 has integrated self-regulating backcheck, adjustable closing speed and adjustable latch action.

Applications

- Apply to various commercial doors
- Door width 850-1100 mm and weight 40-80 kg
- Available with regular arm and parallel arm

Features

- European style Cast Aluminium body
- Finishes: aluminium, bronze, dark bronze, white
- Regular arm installation:
Closer mounted on door. Arm jamb bracket on frame face.
- Parallel arm installation (option):
Closer mounted on door. Bracket on frame.
- Top jamb installation:
Closer mounted on frame face. Arm jamb bracket on top rail.
- CE marked

Accessories

- Screw pack
- Drop plate
- Parallel arm bracket

Adjustments

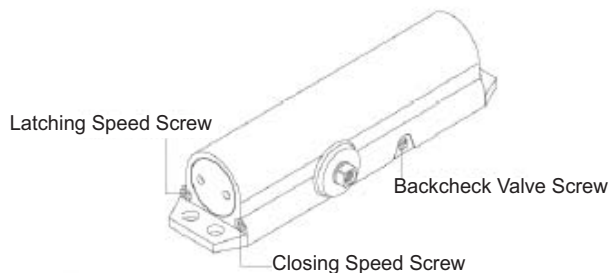
- Three valves for adjusting the closing, latching speed and backcheck

Adjustments

Selectable spring force

Adjustable closing and latching speed

The starting angle for back check and latching speed adjustable



Closing Torque requirements (EN 1154)

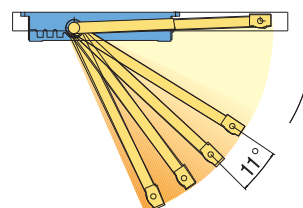
Door closer size	Closing torque Nm (0-4°) min	Recommended door leaf width mm max	Door leaf mass kg
1	9	750	20
2	13	850	40
3	18	950	60
4	26	1100	80
5	37	1250	100
6	54	1400	120
7	87	1600	160

Dimensions

L = 220 mm

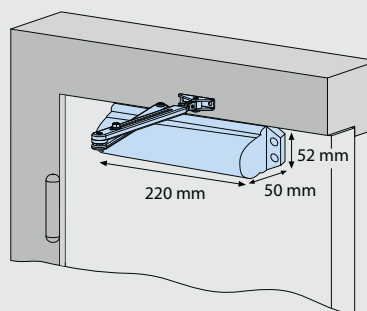
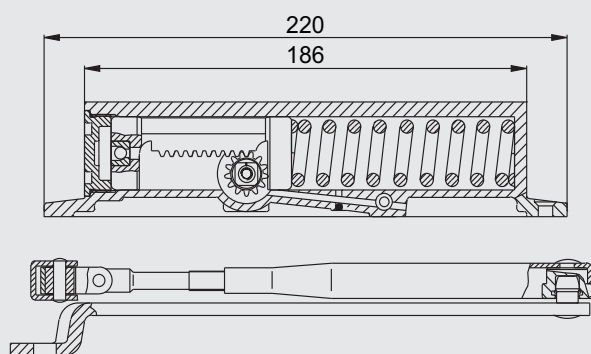
W = 50 mm

H = 52 mm



Installation

with regular arm



This equipment should be installed, regularly inspected, maintained and serviced by trained and authorized personnel.

Preventive maintenance plans are highly recommended for a proper and safe operation.

Talk to your Besam representative to learn more about Besam Pro-Active Care!



Besam Export AB, Sweden Tel: +46 418 514 00 Fax: +46 418 513 55
export@besam.se • www.besam.com